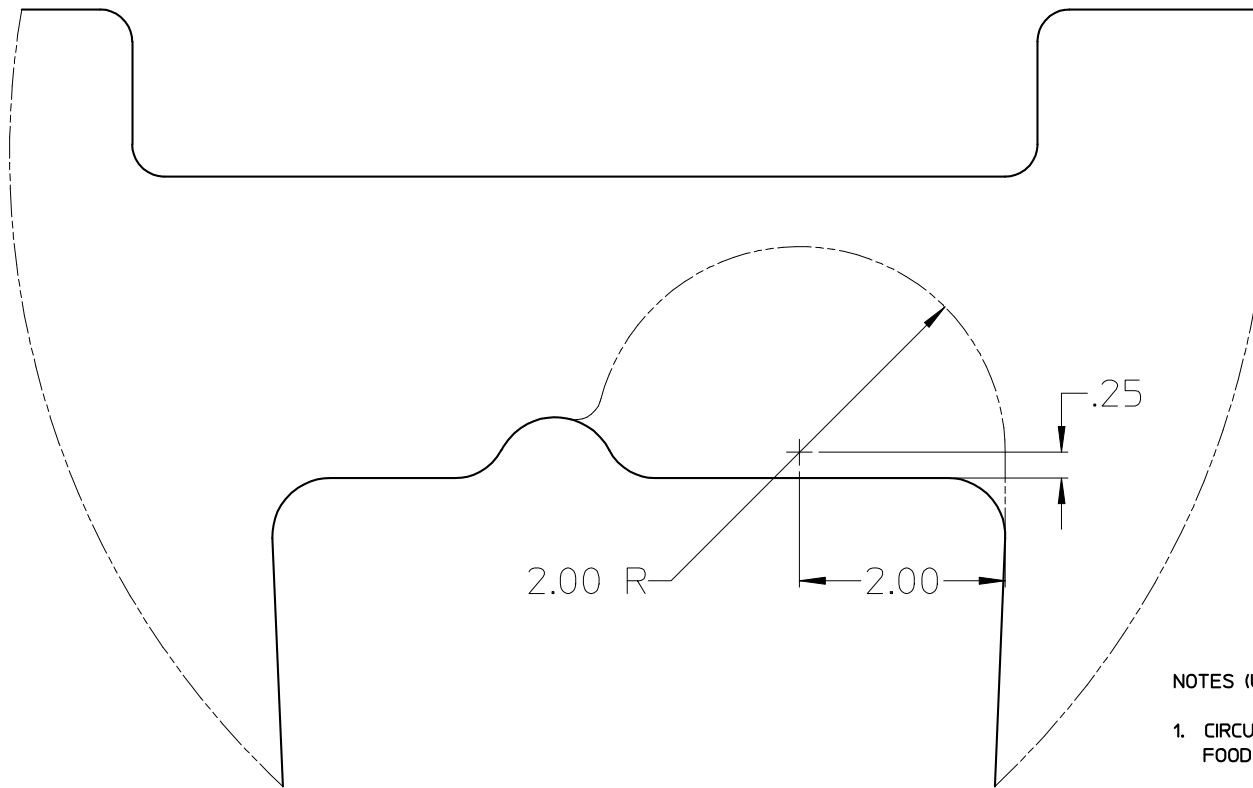


SYM	REVISIONS	APPROVED	DATE
01	AS DESIGNED		2-17-06



NOTES (UNLESS OTHERWISE SPECIFIED):

1. CIRCULAR FEATURE CAN BE TRACED USING PLASTIC TOP OF FOOD CONTAINER OR OTHER CONVENIENT ROUND SHAPE.
2. CUT CAN BE MADE WITH DREMEL TOOL OR BY HAND WITH COPING SAW.
3. EDGES CAN BE SANDED OR FILED TO DEBURR.

BERGMEN ENGINEERING, INC. PROPRIETARY
 THIS DOCUMENT CONTAINS CONFIDENTIAL AND PROPRIETARY
 INFORMATION THAT IS THE PROPERTY OF BERGMEN ENGINEERING, INC.
 THAT MAY NOT BE DISCLOSED TO OR DUPLICATED FOR
 OTHERS EXCEPT AS AUTHORIZED BY BERGMEN ENGINEERING, INC.

1	A/R	PART	-	-	-
ITEM	QTY.	MATERIAL-DESCRIPTION	MATL-PART NO.	MATL-DWG. NO.	MATL-SPEC.
Dan Bergmen DRAWN BY		2-17-06 DATE	MODIFICATION- CONCOURS BELLY PAN		BERGMEN ENGINEERING, INC.
Dan Bergmen ENGINEER		2-17-06 DATE			
RELEASE TO PROD.		DATE	NEXT ASSEMBLY	N/A	REVISION 01
SUPERSEDES DWG.		DATE	FINISH	NONE	SCALE 1:1